



10/100Base-TX Quad Port Transformers



RoHS Compliant

PART NUMBERING SYSTEM

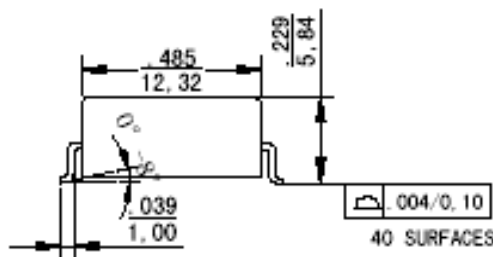
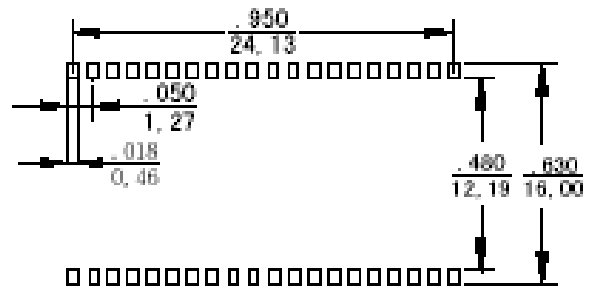
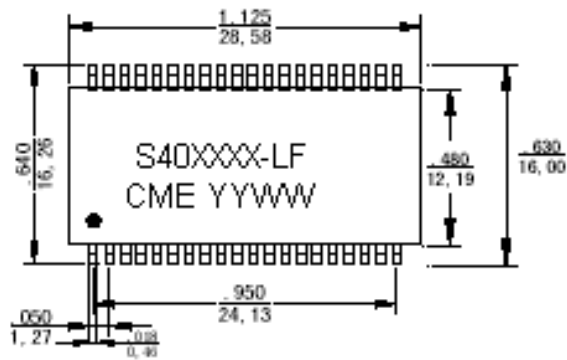


FEATURES

- 1:1 transmit and receive turn ratios
- Compatible with various IC manufacturers
- Compliant with IEEE standards
- 1500 Vrms Isolation voltage
- RoHS compliant peak solder rating 235°C

SHAPES AND DIMENSIONS

Mechanicals

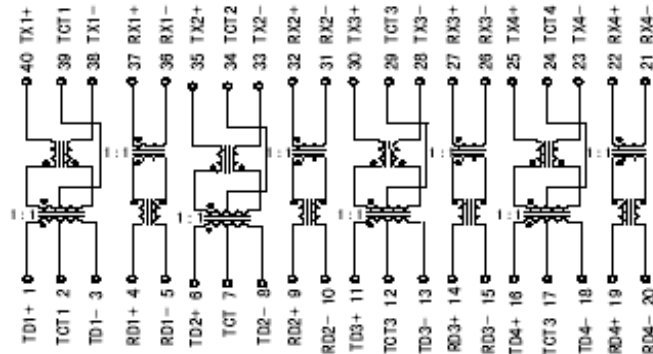




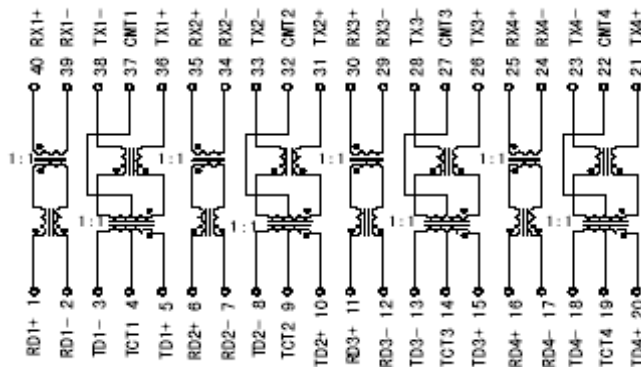
RoHS Compliant

10/100Base-TX Quad Port Transformers

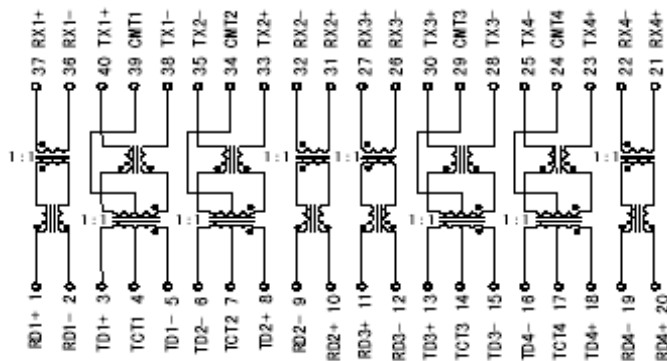
S40-1036-LF , S40-1236-LF



S40-1044-LF



S40-1053-LF

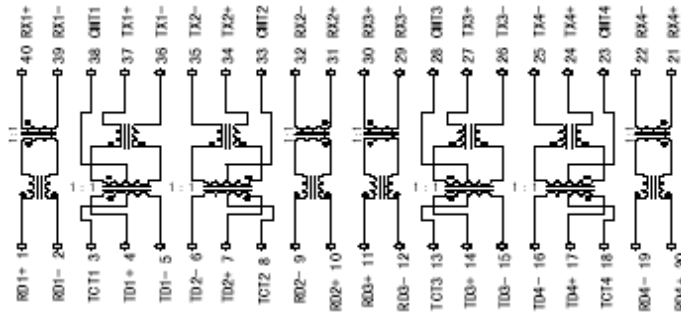




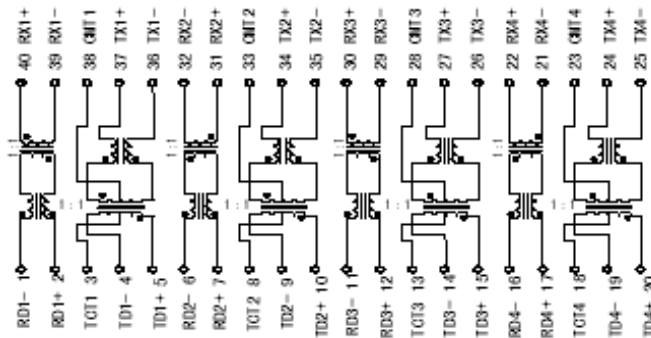
RoHS Compliant

10/100Base-TX Quad Port Transformers

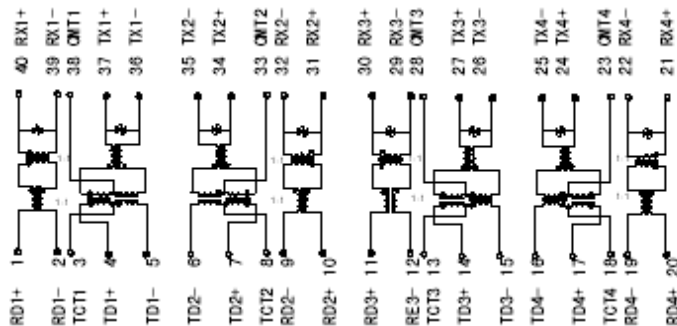
S40-1062-LF , S40-1203-LF



S40-1071-LF



S40-1166-LF





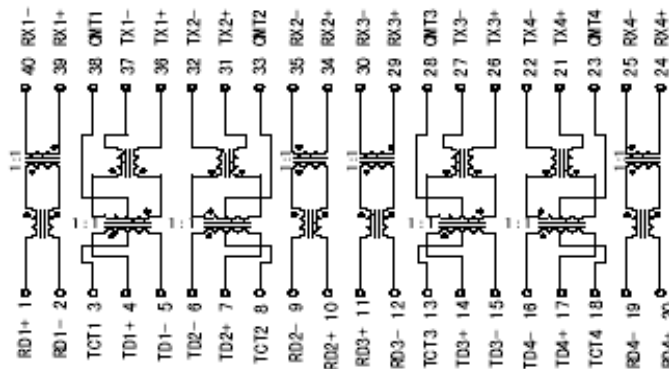
10/100Base-TX Quad Port Transformers



RoHS Compliant

Schematics

S40-1060-LF



ELECTRICAL CHARACTERISTICS @ 25°C --- Operating Temperature 0°C to 70°C

| PART NUMBER | Insertion Loss(dB Typ) | Return loss (dB Min) MHz | | | | Return loss (dB Min) MHz | | | | Common to Rejection Ratio 0.1-60MHz (dB Typ) | | Differential to Common Mode Rejection (dB Typ) | |
|-------------|------------------------|--------------------------|-------|-------|-------|--------------------------|-----|-----|-----|--|---------|--|-------|
| | | 2-30 | 40 | 50 | 60-80 | 1 | 30 | 60 | 100 | Transmit | Receive | 5MHz | 10MHz |
| S40-1036-LF | -0.5 | -21 | -17 | -14.5 | -12 | -65 | -55 | -45 | -35 | -30 | -30 | -40 | -30 |
| S40-1044-LF | -0.5 | -21 | -17 | -14.5 | -12 | -65 | -55 | -45 | -35 | -30 | -30 | -40 | -30 |
| S40-1053-LF | -0.5 | -21 | -17 | -14.5 | -12 | -65 | -50 | -40 | -30 | -30 | -30 | -40 | -30 |
| S40-1060-LF | -0.5 | -21 | -17 | -14.5 | -12 | -65 | -50 | -40 | -30 | -30 | -30 | -40 | -30 |
| S40-1062-LF | -0.5 | -21 | -17 | -14.5 | -12 | -65 | -55 | -45 | -35 | -30 | -30 | -40 | -30 |
| S40-1071-LF | -0.5 | -21 | -17 | -14.5 | -12 | -65 | -50 | -40 | -30 | -30 | -30 | -40 | -30 |
| S40-1066-LF | -0.5 | -21 | -14.4 | -13.1 | -12 | -65 | -45 | -40 | -35 | -30 | -30 | -40 | -30 |
| S40-1203-LF | -0.5 | -21 | -17 | -14.5 | -12 | -65 | -55 | -45 | -35 | -30 | -30 | -40 | -30 |
| S40-1236-LF | -0.5 | -18 | -17 | -14.5 | -12 | -65 | -45 | -40 | -35 | -30 | -30 | -40 | -35 |